

L 08 • L 06 • L 04 • L 02

Accessori
Accessories
Accessoires
Zubehören
Accesorios



SUPPORTO CILINDRO CYLINDER SUPPORT
PALIER VERIN LAGER ZYLINDER
SOPORTE CILINDRO



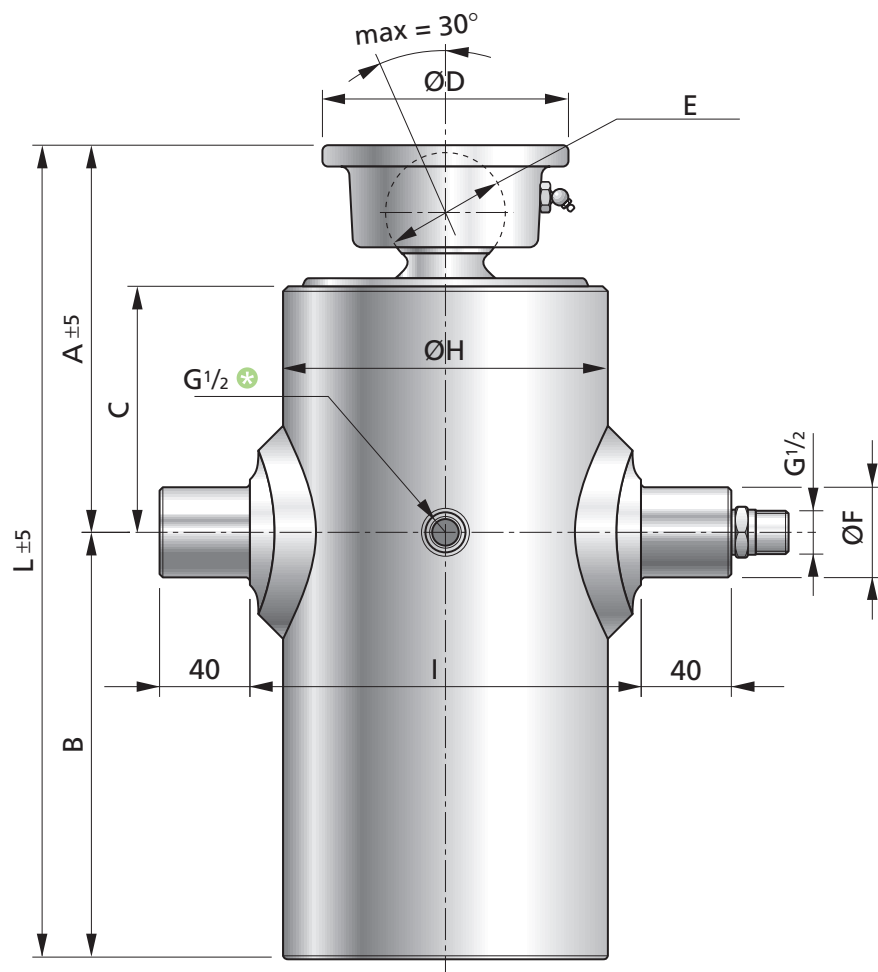
SUPPORTO BILANCIERE CRADLE SUPPORT
BALANCIER VERIN LAGER KIPPHEBEL
SOPORTE CUNA



BILANCIERE CRADLE BALANCIER
KIPPHEBEL CUNA



Vedi pagine 6 e 7 per dettagli
See pages 6-7 for details
Voyez pages 6-7 pour détails
Sehen Blatten 6-7 für Informationen
Ver hoias 6-7 para informaciones



L 08 • L 06 • L 04 • L 02								
TIPO TYPE TYP TIPO	SFILATE EXTENSION EXPANSION STUFENZAHL EXPANSION	DIAMETRO - DIAMETER DIAMÈTRE - DURCHMESSER - DIAMETRO [mm]						max SPINTA THRUST POUSÉE KRAFT EMPÜJE [kN]
		I	II	III	IV	V	VI	
L08	6	122	105	90	75	60	45	73
	5	122	105	90	75	60		91
	4	122	105	90	75			110
	3	122	105	90				130
L06	6	105	90	75	60	45	30	45
	5	105	90	75	60	45		61
	4	105	90	75	60			77
	3	105	90	75				94
L04	5	90	75	60	45	30		37
	4	90	75	60	45			50
	3	90	75	60				64
L02	3	75	60	45				41
	2	75	60					53

L 08 • L 06 • L 04 • L 02

DETTAGLI TECNICI TECHNICAL DATA DÉTAIL TECHNIQUES TECHNISCHEDATUM DETALLES TÉCNICOS

ART. NUOVO NEW MODEL NOUVELLE DESCRIPTION NEUE BEZEICHNUNG DESCRIPCION NUEVA	ART. VECCHIO OLD MODEL ANCIENNE D. ALTE BEZ. DES. ANTIGUA	CODICE CODE CODE BESTELL-Nr. CODIGO	N. SFILATE - EXTENSION N. N. DES BALLONGES STUFENZAHL - N. EXPANSIONES	CORSA - POWER STROKE COURSE DE TRAVAIL GESAMTHUB - CARRERA	MASSA - MASS MASSE - MASSE	OLIO ASSORBITO OIL CONSUMPTION HUILE CONSONM. ÖLVERBRAUCH ACEITE ABSORBIDO	PRESIONE MAX DI LAVORO MAX. WORKING PRESSURE PRESSION DE TRAVAIL MAX. MAXIMUM BETRIEBSDRUCK PRESSION MAX. DE TRABAJO	MASSA TOTALE RIPALZABILE TOTAL MASS TIP-UP MASSE TOTALE REBATABLE GESAMTPIPPMASSE MASA TOTAL VOLCADA	L	A	B	C	D	E	F	H	I
								[mm]	[kg]	[dm ³]	[bar]	[ton]	[mm]				
BL440 2206 122 6	L08/450/6	3104401226001	6	2206	48	13.1	200	9.9	538	145	393	88	85	43	45	145	165
BL440 1837 122 5	L08/450/5	3104401225001	5	1837	51	12.5	200	12.3	555	162	393	88	120	58	45	145	165
BL440 1474 122 4	L08/450/4	3104401224001	4	1474	56	11.4	200	14.9	555	162	393	88	120	58	45	145	165
BL410 2026 122 6	L08/420/6	3104101226001	6	2026	44	12.0	200	9.9	509	218	291	160	85	43	45	145	165
BL410 1687 122 5	L08/420/5	3104101225001	5	1687	47	11.4	200	12.3	525	234	291	160	120	58	45	145	165
BL410 1354 122 4	L08/420/4	3104101224001	4	1354	52	10.5	200	14.9	525	234	291	160	120	58	45	145	165
BL360 1726 122 6	L08/6	3103601226001	6	1726	38	10.2	200	9.9	459	183	276	125	85	43	45	145	165
BL360 1437 122 5	L08/5	3103601225001	5	1437	40	9.8	200	12.3	475	199	276	125	120	58	45	145	165
BL360 1154 122 4	L08/4	3103601224001	4	1154	38	9.0	200	14.9	475	199	276	125	120	58	45	145	165
* BL360 861 122 3	L08/3	3103601223001	3	861	32	7.7	200	17.6	475	199	276	125	120	58	45	145	165
BL305 1415 122 6	LB08/6	3103051226001	6	1415	32	8.5	200	9.9	404	183	221	125	85	43	45	145	165
BL300 1156 122 5	LB08/5	3103001225001	5	1156	39	7.9	200	12.3	415	199	216	125	120	58	45	145	165
* BL275 1235 122 6	LC08/6	3102751226001	6	1235	37	7.4	200	9.9	374	183	191	125	85	43	45	145	165
* BL275 1031 122 5	LC08/5	3102751225001	5	1031	39	7.1	200	12.3	390	199	191	125	120	58	45	145	165
BL445 1868 105 5	L06/450/5	3104451055001	5	1868	38	8.9	200	8.3	531	140	391	83	85	43	40	125	148
BL445 1493 105 4	L06/450/4	3104451054001	4	1493	35	8.3	200	10.4	547	156	391	83	120	58	40	125	148
BL360 1443 105 5	L06/5Z	3103601055001	5	1443	29	6.9	200	8.3	446	152	294	95	85	43	40	125	148
BL360 1153 105 4	L06/4Z	3103601054001	4	1153	28	6.4	200	10.4	462	168	294	95	120	58	40	125	148
* BL360 870 105 3	L06/3Z	3103601053001	3	870	27	5.6	200	12.7	462	168	294	95	120	58	40	125	170
BL320 1252 105 5	L06/5	3103201055001	5	1252	28	6.0	200	8.3	406	152	254	95	85	43	40	125	148
BL320 1003 105 4	L06/4	3103201054001	4	1003	27	5.6	200	10.4	405	151	254	95	85	43	40	125	148
* BL320 1003 105 4	L06/4	3103201054003	4	1003	29	5.6	200	10.4	422	168	254	95	120	58	40	125	148
BL265 1182 105 6	LB06/6	3102651056001	6	1182	22	4.9	200	6.2	352	153	199	95	85	43	40	125	148
BL275 1027 105 5	LB06/5	3102751055001	5	1027	23	4.9	200	8.3	361	152	209	95	85	43	40	125	148
BL275 823 105 4	LB06/4	3102751054001	4	823	22	4.6	200	10.4	360	151	209	95	85	43	40	125	148
BL235 1003 105 6	LC06/6	3102351056001	6	1003	19	4.1	200	6.2	322	153	169	95	85	43	40	125	148
BL475 1211 90 3	L04/475/3	3104750903001	3	1211	34	5.5	220	9.6	574	180	394	108	120	58	40	110	148
BL425 1061 90 3	L04/425/3	3104250903001	3	1061	27	4.8	220	9.6	524	155	369	83	120	58	40	110	148
BL360 1155 90 4	L04/4	3103600904001	4	1155	24	4.4	220	7.5	443	156	287	100	85	43	40	110	148
BL360 866 90 3	L04/3	3103600903001	3	866	23	3.9	220	9.6	442	155	287	100	85	43	40	110	148
BL320 1256 90 5	L04L/5	3103200905001	5	1256	29	4.0	220	5.5	403	156	247	100	85	43	40	110	148
BL320 995 90 4	L04L/4	3103200904001	4	995	22	3.8	220	7.5	403	156	247	100	85	43	40	110	148
BL275 815 90 4	LB04/4	3102750904001	4	815	19	3.1	220	7.5	358	156	202	100	85	43	40	110	148
BL245 695 90 4	L04/4D	3102450904001	4	695	16	2.6	220	7.5	328	153	175	97	85	43	40	110	148
BL425 1061 75 3	L02/427/3	3104250753001	3	1061	21	3.1	220	6.1	505	150	355	95	85	43	35	95	120
BL355 851 75 3	L02/355/3	3103550753001	3	851	19	2.5	220	6.1	435	150	285	95	85	43	35	95	120